

H5110+

Charging and alarm series Security Display for Camera

H5110+ is an especially designed product for cameras, flat display with elegant design and finishing. This versatile system displays camera in unique way. Mini USB supports camera charging @5V or secondary sensor.



Special design for **flat display** camera

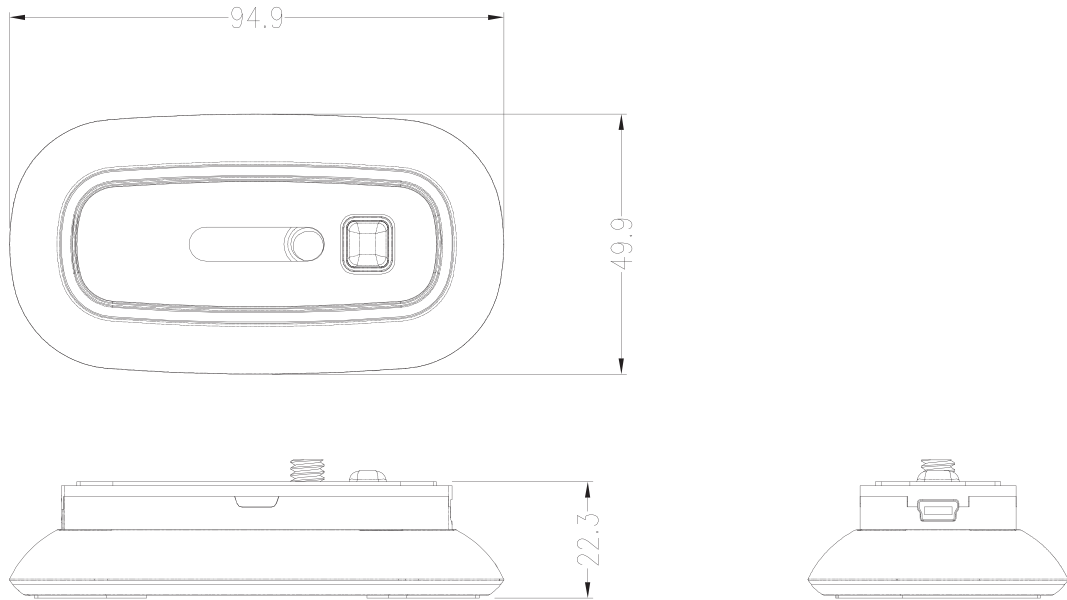
Mini USB interface supports exhibit charging

Secondary sensor provide protection for lens

Visible blue LED indicator shows the status of system

Device holder magnetically return to its optimal position


Product dimensions
(mm)



System schematic

This System is created by a centralized controller with H5110+ provides charging and alarm function.

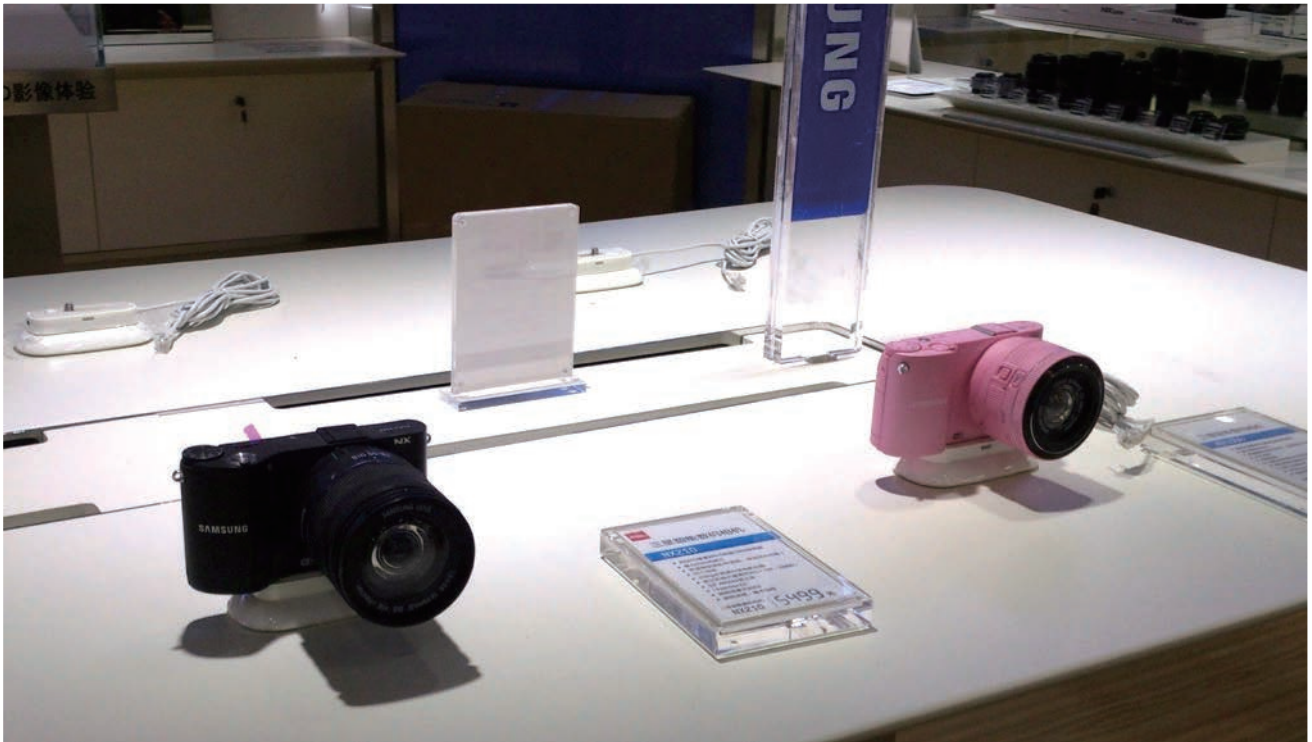


Model	Color	Interface	Secondary sensor	Charging cable	Application
H5110+	W	RJ11 6P4C	A2009 (optional)	CHXX	

Warm tips : H5110+ has only one Mini USB interface, support secondary sensor (A2009) or charging cable.

Accessories		
Category	Model	Description
Adhesive	3M(H5110+base)	Adhesive of stand base
Screwdriver	Phillips screwdriver	Screwdriver for install camera
Remote	B3001/B3002 B3201/B3202	2.4G remote control
Charging cable <small>(optional)</small>	CHXX	Charging cable
Secondary sensor <small>(optional)</small>	A2009	Secondary snesor
Controller	X/H/C controller	Security controller works with H5110+ <small>(detail please refer to the controller's datasheet)</small>

Installation demonstration



Contact Us:
info@showhiglobal.com