

H7150 V2

Standalone Security Display
X – Power Series

We made the best even better!

Showhi H7150V2 provides outstanding security without getting in the way of your customers experience trying out the merchandise, 15 degree low profile display puts all of the customer's focus on the merchandise. Light weight and unobtrusive, the H7150V2 is the perfect solution for tablets on display.



Concise appearance
Concealed cable for clean presentation

Visible LED indicator light
LED on base continuously indicate system status



Versatile for display
180 degree rotation for friendly customer experience

Wireless Remote Control
Omnidirectional and anti-interference



Function	Description
Universal protection	It will trigger the alarm when plungers on pedestal and holder released, or coiled cable detached or broken.
Built-in battery	Built-in battery design, support alarm function without power.
Rotatable holder	180 degree rotation for friendly customer.
Indication light	RED / BLUE indication light on pedestal(Blue light flashes slowly when charging and securing with adapter connected, Red light flashes rapidly when alarming).
Remote control	2.4G remote control, no direction restriction, more reliable; password protection optional.
Loudness of alarm	Around 100dB (10cm away from device)

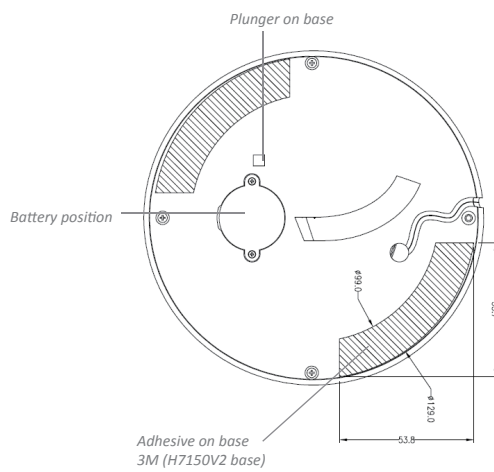
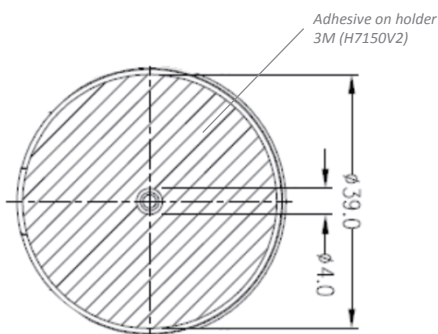
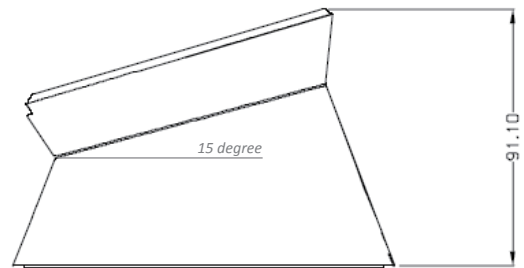
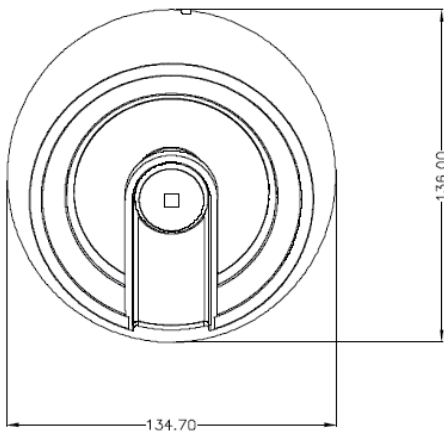
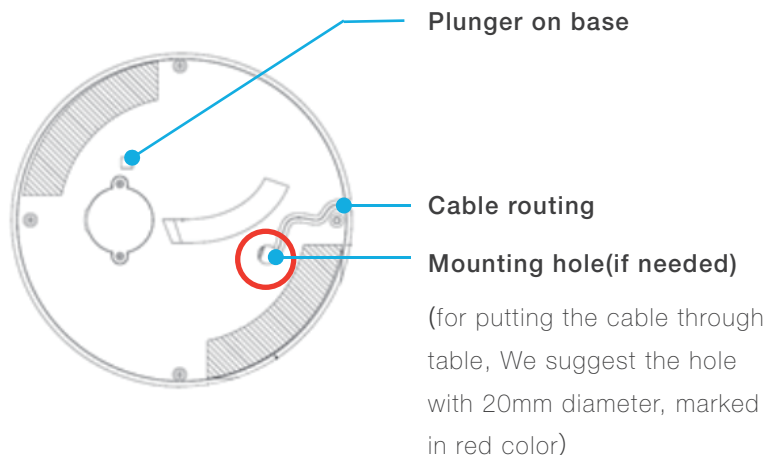




Table-mounting

(with adhesive on the pedestal, no screw needed)



Default Contents	
Items	Qty
H7150V2	1 pc
9V1A Power adapter	1 pc

Optional Accessories		
Category	Model	Description
Remote Control	B3001	Remote control with password function
	B3002	Remote control with ON/OFF feature.
	B3201/B3202	Simple remote control with ON/MUTE/OFF(B3201) ON/MUTE(B3202) feature.
Charging cable	CH18	Micro USB interface
	CH35V2	Lightning interface
Adhesive for holder	3M(H7150)_V2	3M adhesive for holder
Adhesive for pedestal	3M(H7150底胶)	3M adhesive for base

Contact Us:
info@showhiglobal.com