

HSR8502

Standalone Security Display

Device Charging & Alarm Series

Totally new, providing powerful and stability charging & alarm function

More secure Under-table-mounted system;

Neat presentation and unmatched customer experience benefit from recoiler mechanism;

Detachable holder without tool, allow to collect exhibits easily;

360 degree rotation, support horizontal and vertical display;

Detachable brackets design, providing more options of physical protection for exhibits.



Adjustable brackets

Providing more options of physical protection for exhibits



Detachable holder

Allow to collect phone easily



Make the exhibit the hero

Emphasize the exhibits when display, providing unmatched customer experience

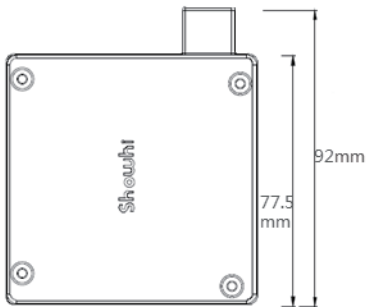
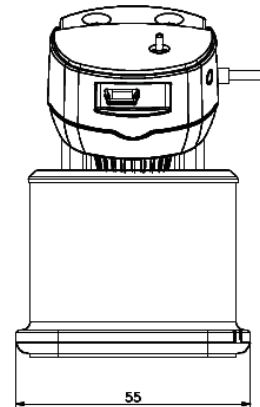
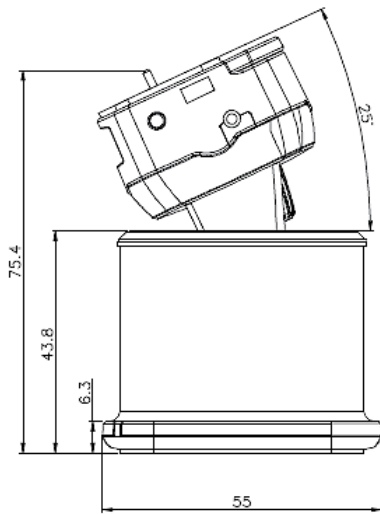


The flash charging function

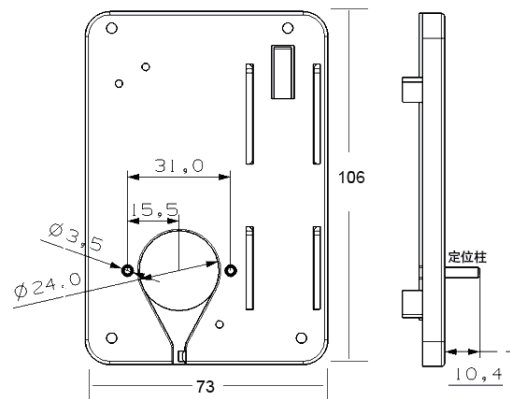
Reduce the loss and improve the charging efficiency, provide a fully powered customer experience;



Function	Description
Universal protection	Suit for various tablets and cellphones
Charging-alarm	Alarm sounds audibly if the charging cable is removed (Function still works with no external power supply fitted)
Charging capacity	Providing more than 1A current
Retractable cable	Neat presentation and unmatched customer experience benefit from recoiler mechanism. (L=80cm)
Built-in battery	Back-up battery design, support alarm function without power adapter
Device removal	Detachable holder allows for easy device removal for after hours storage
Reserved stripe hole	Reserved stripe hole on the holder, used for irregular exhibits
LED Indicator	Visual LED flashing slowly when in normal working status, flashing rapidly when alarming.
2.4G remote control	2.4G remote control, password protection optional.
Alarm volume	Around 100dB (within 10cm)
Brackets extension	B032 brackets can be equipped for further protection.

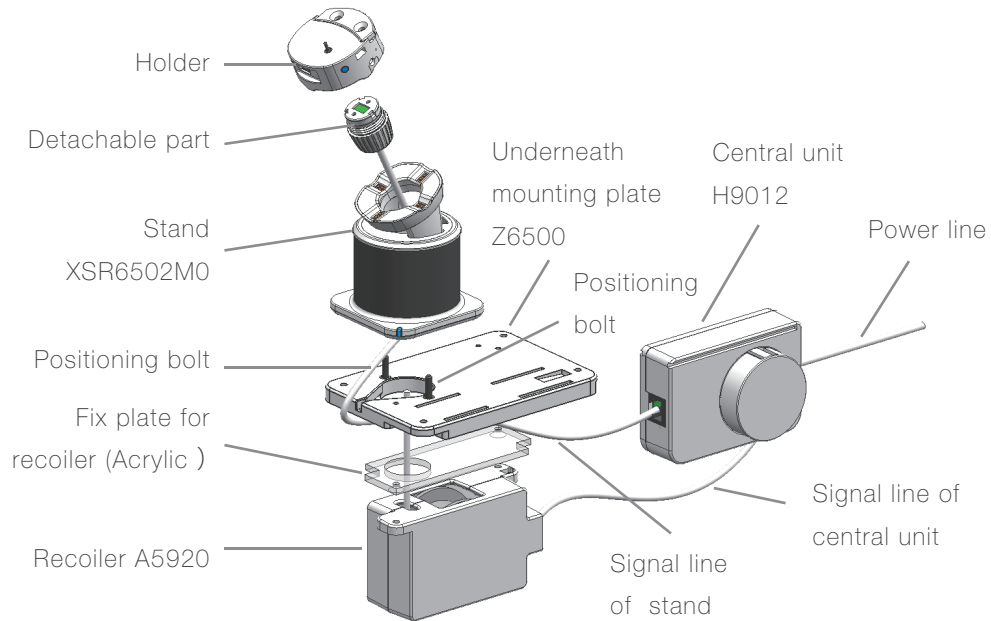


Recoiler (A5920)



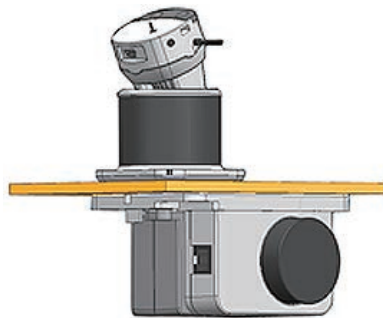
The adhesive of underneath mounting plate: 3M(H7020V2)_V2* 2

Assembly Illustration



Through Hole Installation

(countertop part installed by adhesive; underneath part default installed by adhesive, but reserved holes for fixed by screws)

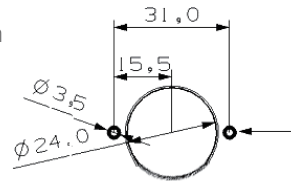


Mounting hole illustration (mm)

(optional) Positioning location hole on both sides:

Diameter: 3.5mm

Depth: >10mm

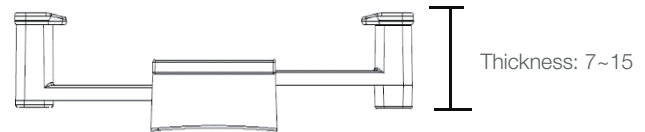
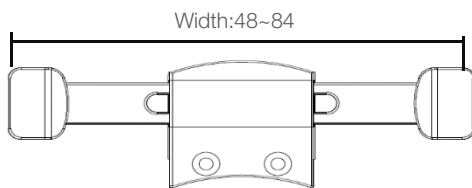


Recommend minimum installation diameter is > 20mm

Default Package	
Items	Qty
XSR6502M0	1 PCS
5.5V 1A PSU	1 PCS
Recoiler A5920	1 PCS (contain acrylic plate)
Mounting Plate Z6500	1 PCS
Central unit H9012	1 PCS
Positioning bolt	1 PCS
User manual	1 PCS

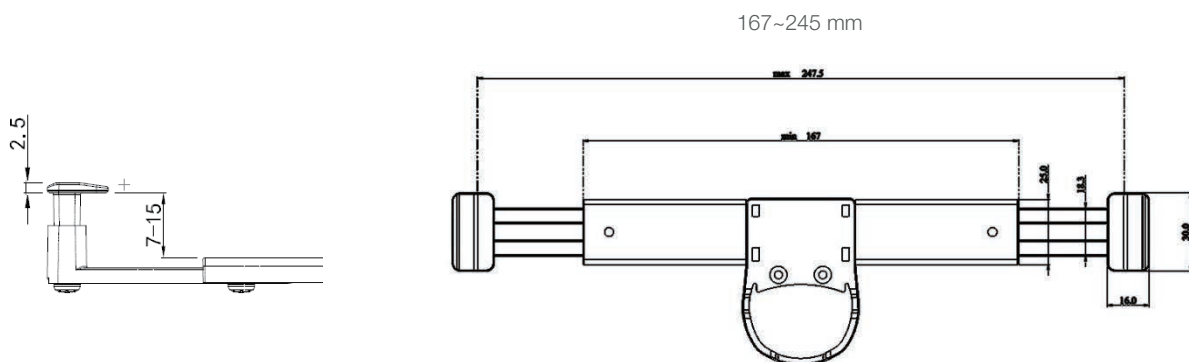
Category	Model	Accessories	
		Description	Remarks
Adhesive	3M(XSR6502)	Adhesive of holder	
Adhesive	3M(XSR6502底胶)	Adhesive of stand base	
Adhesive	3M(H7020)_V2	Adhesive of underneath mounting plate* 2	
Security bracket	B032 for cellphone B044 for tablet	Detachable bracket, particularly recommend for M0 products to provide physical protection	
Remote	B3001/B3002/B3201/B3202	2.4G remote control	
Charging cable	H-CH18	Micro USB interface	Without charging & alarm function
	C-CH35V2-L20	Lightning interface	
	C-CH-Type CW	TYPE-C interface	

Dimensions about optional brackets (mm)



Bracket: B032

The adjustable range of width is 48~84mm, the adjustable range of thickness is 7~15mm



Bracket: B044

The adjustable range of width is 167~245mm, the adjustable range of thickness is 7~15mm

Contact Us:
info@showhiglobal.com