

# TSE84 Series

Standalone Security Display  
X-Power Security Stand



TSE84 Series is well designed based on classical standalone display solutions. It has the powerful charging capability of X-Power Series and reliable high security. Its versatile holder provides the options to equip brackets to enhance the security performance. All its highlights create a wonderful consumer experience, increase sales and prevent theft.

# TSE84 Series

Standalone Security Display

## X-Power Charging Capability

X-power output to charge any power-hungry electronic devices requiring 5V.

## Reliable, Secure, Universal



### Multiple sensor detections, deter theft attempt

Sensors in the holder, base and mouse head (optional), trigger audible and visual alarms.

Alarm on charging cable and connectors

Alarm on exposed cables

### Reliable mechanical and electronic design, lead to fewer false alarms

Optimized algorithms reduce false alarms

Invaginated charging port and fixed mouse head sensor (optional) on the holder result in less false alarms on conjunctions



### Optional mechanical brackets for enhanced security

Utilize security screws for width and depth adjustment

Well protect battery

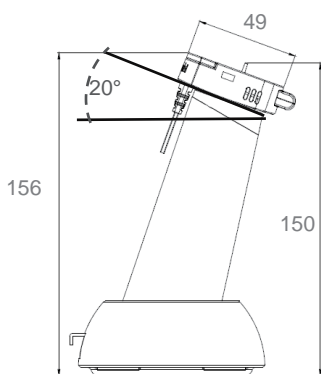
Adjustable arms protect most popular smart phones.

### 3M adhesive for easy top mounting and well securing the stand to flat surface

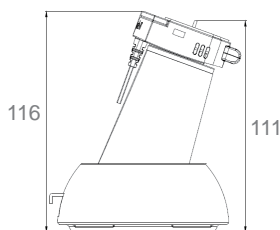
### 2.4G Programmable Remote Control

For added protection, a programmable password feature is available in LHT 2.4G remote controller.

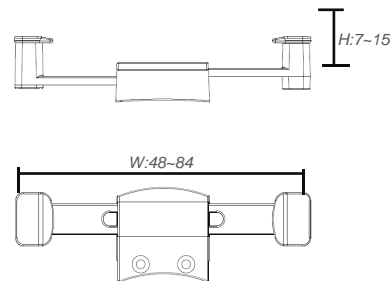
Function	Description
Universal protection	Plungers on base and holder, alarm trigger when released.
Charging-alarm	Audible alarm activated when charging cable is improperly removed.
X-Power feature	X-Power output can charge most power-hungry handheld devices.
Built-in battery	Back-up battery design, support alarm function without power adapter
Device removal	RJ11 connector allows for easy device removal for after hours storage
Multiple security	Nylon strip holes available for secondary protection.
LED Indicator	Left LED indicates charging status, Right LED indicates working status(flashing slowly when in normal working status, flashing rapidly when alarming)
2.4G remote control	2.4G remote control, password protection optional.
Alarm volume	Around 100dB (within 10cm)
Brackets extension	B032 brackets can be equipped for further protection.
Horizontal/Vertical display feature	Sensor allows for merchandise to be displayed in landscape or portrait positions.



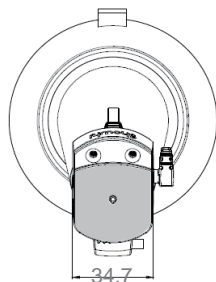
Side View : TSE8407



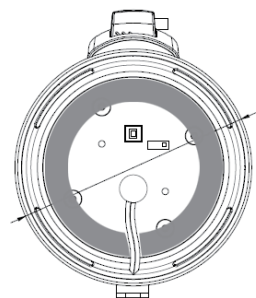
Side View : TSE8409



B032 Brackets

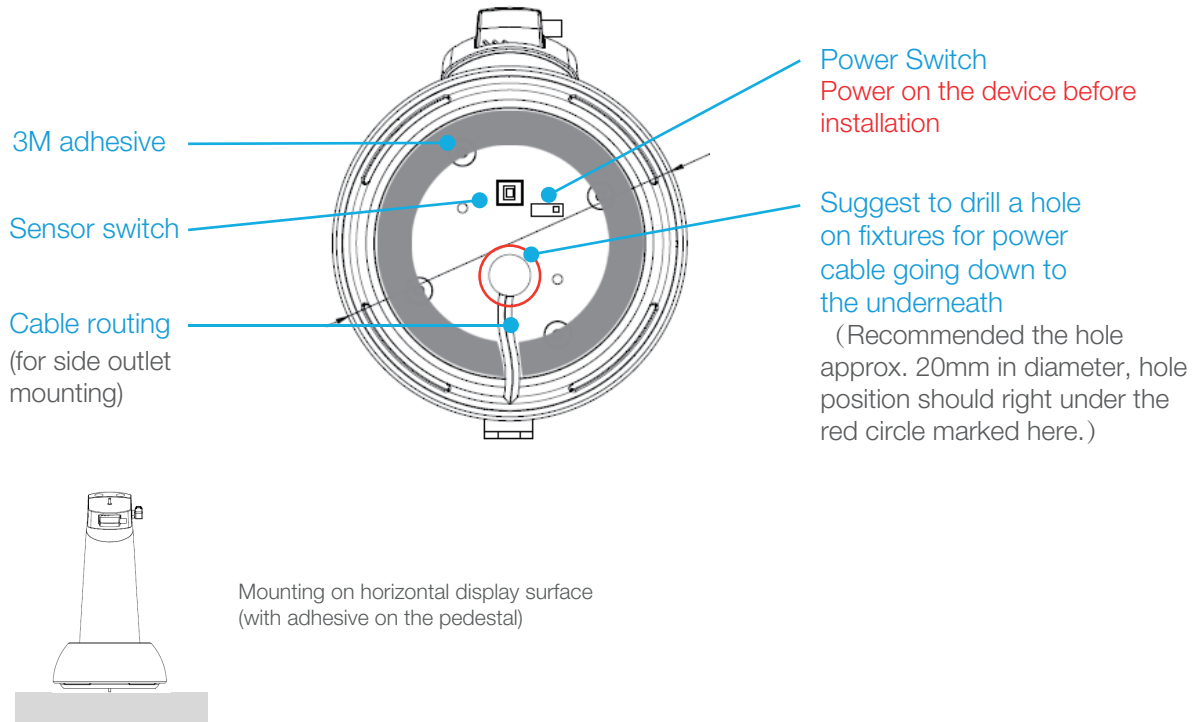


Top View



Bottom View

Mounting instruction

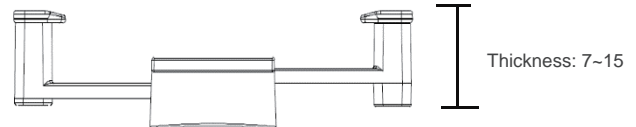
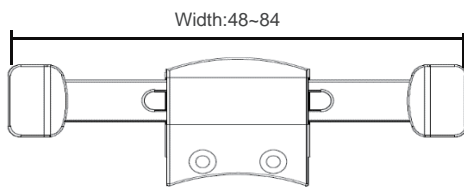


Product Ordering

Model	Color	PSU (included)	Remarks
TSE8407M0	White / Black	9V1A 12V1.5A	Tall without mouse sensor
TSE8409M0	White / Black		Short without mouse sensor
TSE8407M1	White / Black		Tall with mouse sensor
TSE8409M1	White / Black		Short with mouse sensor
B032	White / Black	NA	Bracket for phone security
B034	White / Black		Bracket for tablet security

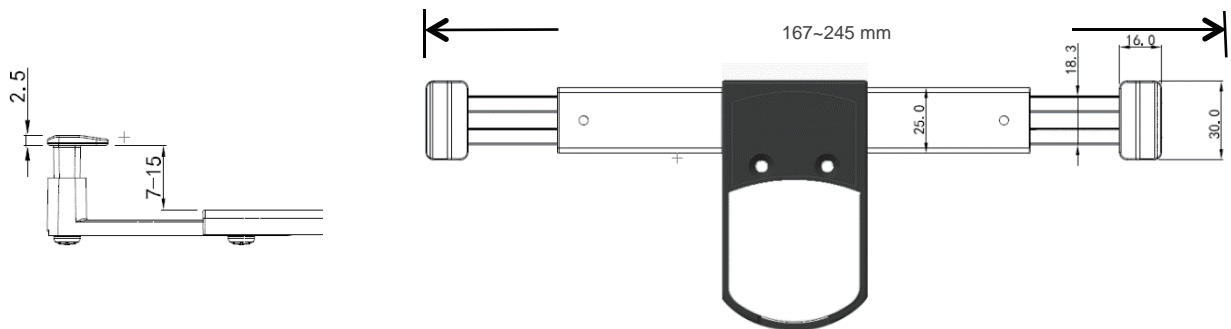
Necessary Accessories		
Model	Category	Description
3M(TSE8/TSI8)	Adhesive	Adhesive of holder
3M(TSE8407M0底胶)		Adhesive of stand base
B3201	Remote Control	Dual-Key, with ON/MUTE/OFF (for store managers)
B3202		Single-Key, with ON/MUTE (for employee)
B3001		Remote control with password setting feature.
B3002		Remote control without password setting feature.
C-CH08	Charging Cable	Micro USB interface
C-CH35V2		Lightning interface
C-CH-Type CW		TYPE-C interface
CHXX Cables		More interface available
Allen key	Tool	Allen key to adjust arms of B032 / B034

**Dimensions about optional brackets (mm)**



Bracket: B032

The adjustable range of width is 48~84mm, the adjustable range of thickness is 7~15mm



Bracket: B034

The adjustable range of width is 167~245mm, the adjustable range of thickness is 7~15mm

Contact Us:  
info@showhiglobal.com