

HSE7300/1 V2

Standalone Security Display Low Profile Standalone Security Display

Cute and pretty smallest stand makes the merchandise outstanding

Fully power-up support the most advanced handheld electronics, either cellphone or tablet

Detachable holder without tool make the re-merchandising faster and easier

Support both table and wall mounting display the exhibits in any place

More secure charging-alarm function and adjustable brackets (optional) protect most popular smart phones



Standout design

Emphasize the exhibits when display, wall mounting available



Detachable holder

Lockable RJ11 connector, make the re-merchandising easier and safer



Four directions support

Display the exhibits at full position

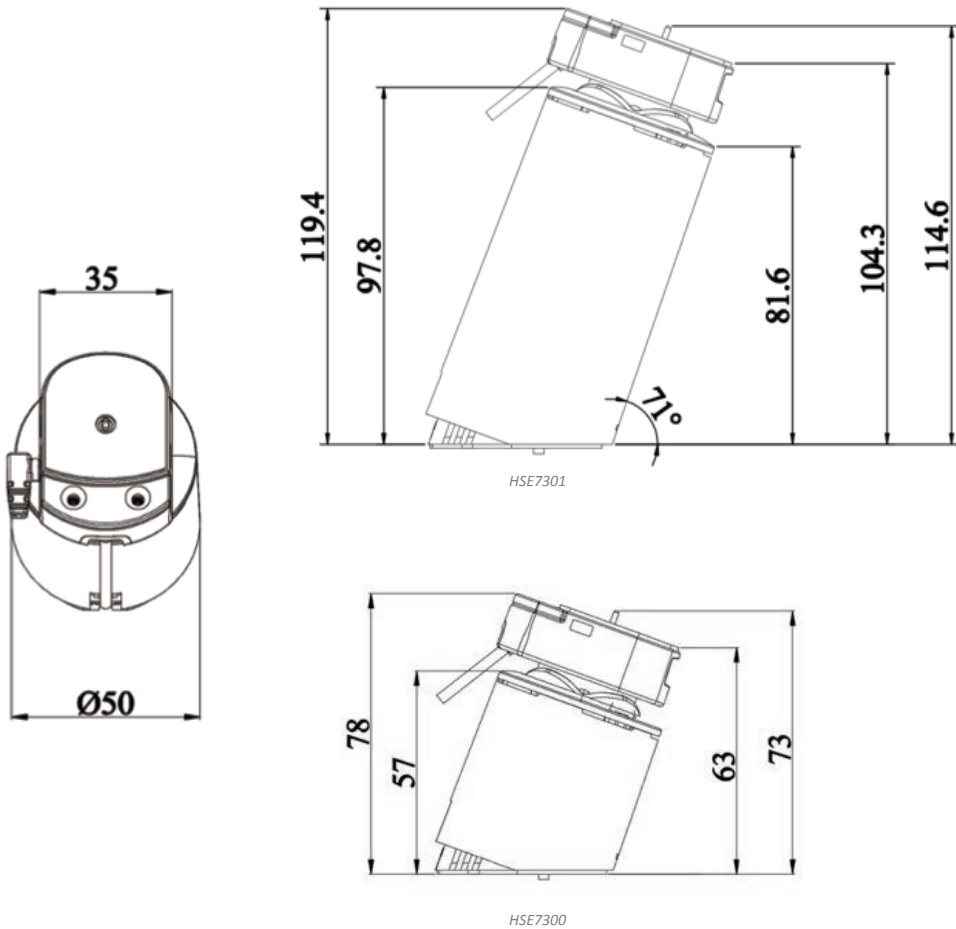


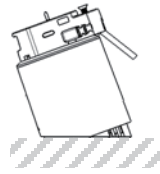
Adjustable bracket

Support security bracket, providing more options of physical protection



Function	Description
Universal protection	Plungers on base and holder, alarm trigger when released.
Charging -alarm	Audible alarm activated when charging cable is improperly removed.(still available without external power supply)
Charging capacity	Providing more than 1200mA current
Built-in battery	Back-up battery design, support alarm function without power adapter
Easy re-merchandising	RJ11 connector, detachable holder allows for easy device removal for after hours storage
Reserved stripe hole	Reserved stripe hole on the holder, used for irregular exhibits
LED indicator	Visual LED on holder and base, flashing slowly when in normal working status, flashing rapidly when alarming.
2.4G remote control	2.4G remote control, no direction restriction ,more reliable; password protection optional.
Alarm volume	>100dB
Adjustable brackets (optional)	B032/4 brackets can be equipped for further protection.
Wall-mounting	Support wall-mounting display cellphone or other small handhelds devices
Security extension	More secure, only can be off/mute after alarm 3 seconds. (NEW)

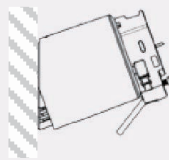




Desktop-mounting

(install by adhesive on the pedestal)

Support normal installation and Hole Installation (recommend installation diameter: > Φ 20mm)



Wall-mounting

Installed by adhesive, wall-mounting screws is optional

* Wall-mounting display only available for cellphones



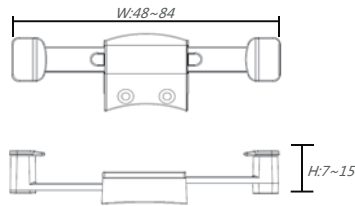
Bottom View

Wall-mounting strengthen
(M4 hanging screws is available)



Security extension
BRACKET B032 (cellphone)

* B032 is optional, need to order separately

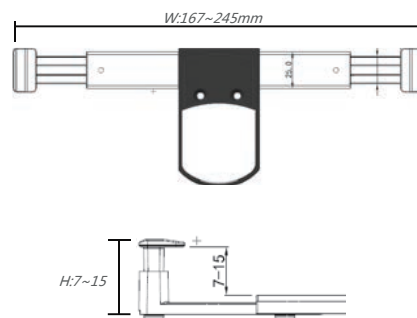


The adjustable range of width is 48~84mm, the adjustable range of thickness is 7~15mm



Security extension
BRACKET B034 (tablet)

* B034 is optional, need to order separately

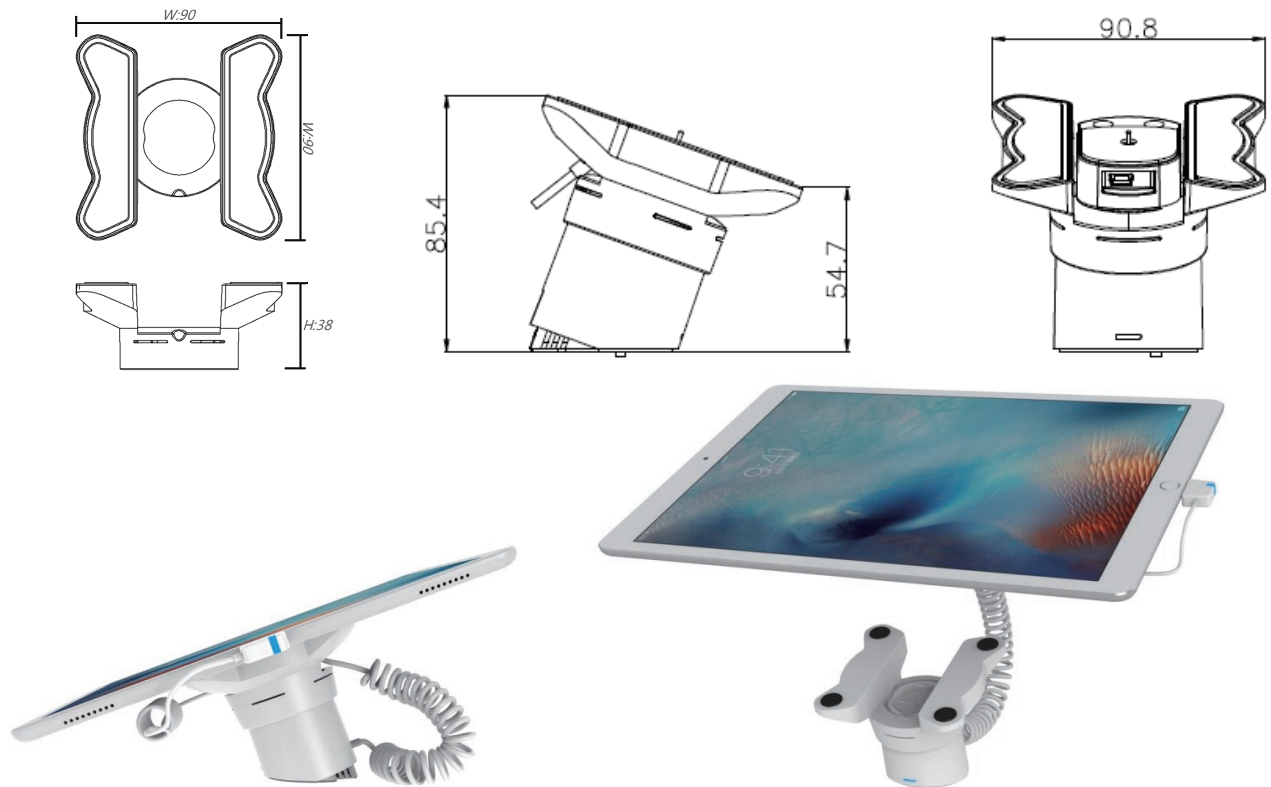


The adjustable range of width is 167~245mm, the adjustable range of thickness is 7~15mm

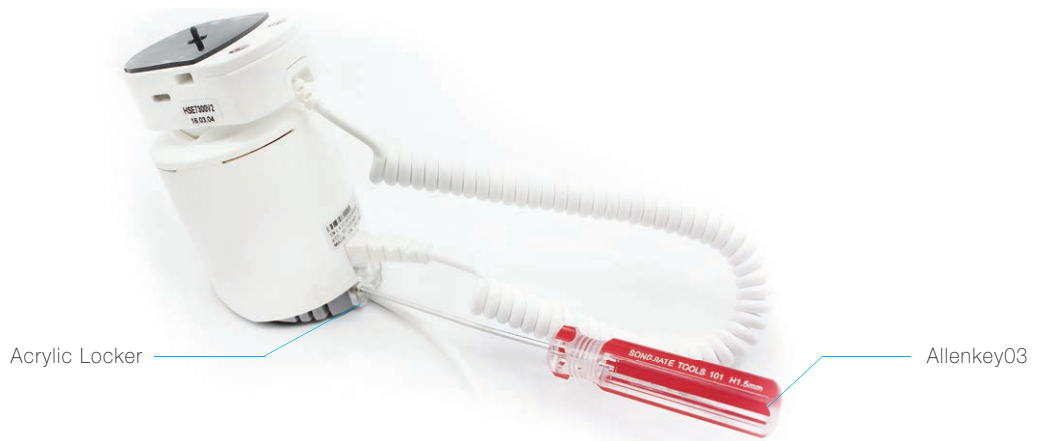
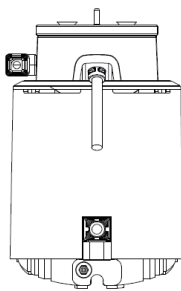


Security extension
-
HOLDER Z5012 (tablet)

* Z5012 is optional, need to order separately



Security extension
-
Connector Locker



Model	Color	PSU(Included)	Remarks
HSE7300M0W+V2	White	5.5V 2A	Shortwithoutmousesensor
HSE7300M0B+V2	Black	5.5V 2A	Shortwithoutmousesensor
HSE7301M0W+V2	White	5.5V 2A	Tall withoutmousesensor
HSE7301M0B+V2	Black	5.5V 2A	Tall withoutmousesensor

Accessories		
Category	Model	Description
Adhesive	3M(HSE7300V2)	Adhesive of holder
Adhesive	3M(HSE7300base)	Adhesive of stand base
Security bracket	B032/B034	Detachable bracket, particularly recommend for M0 products to provide physical protection
Tablet holder	Z5012W/B	For support big screen tablet
Screw driver	Allenkey	Screw driver for bracket
Remote	B3001/B3002 B3201/B3202	2.4G remote control
Charging cable	C-CHXX	Charging cable
Screw driver	Allenkey 03	Screw driver for Acrylic Locker



Contact Us:
info@showhiglobal.com